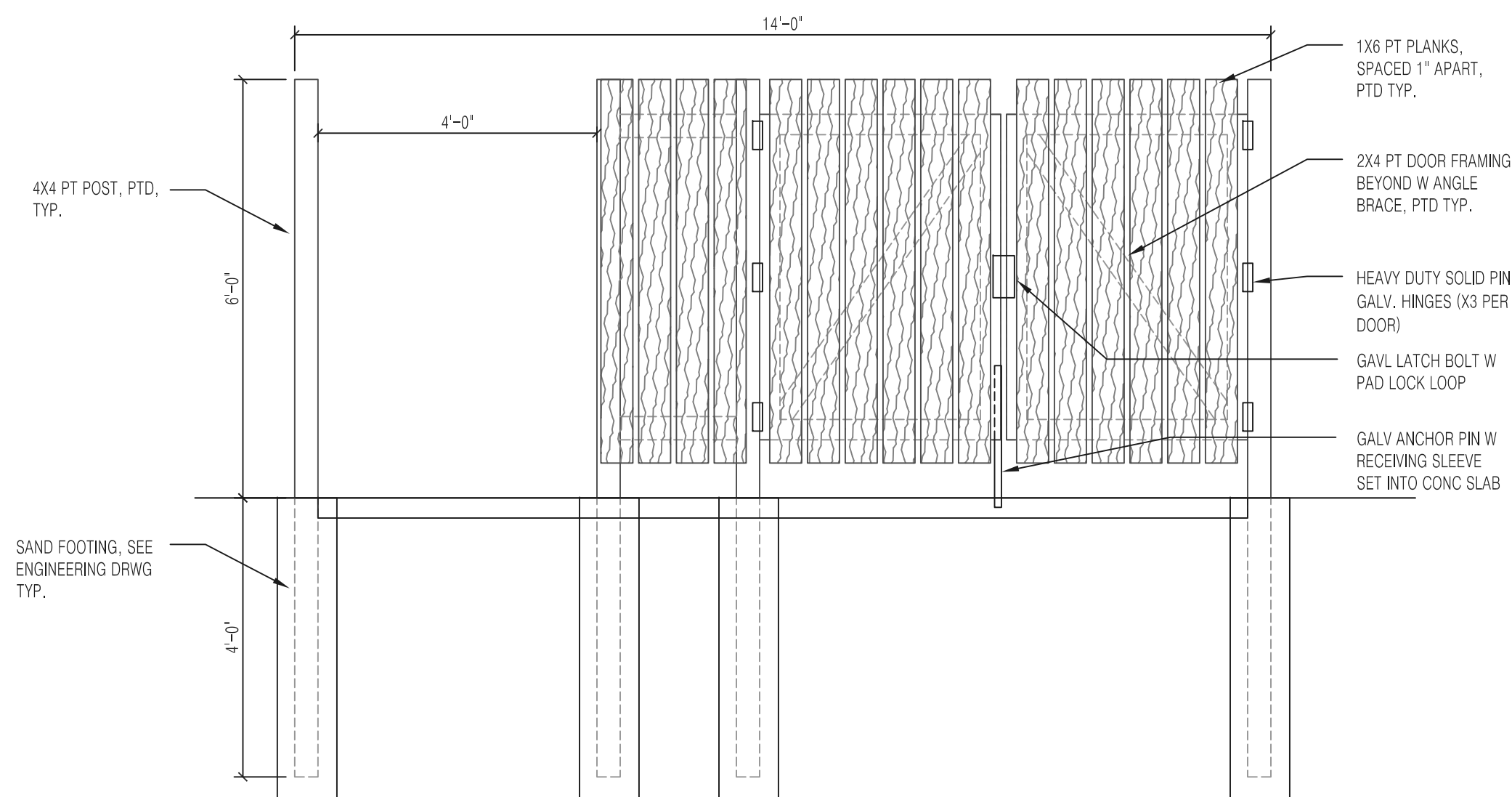


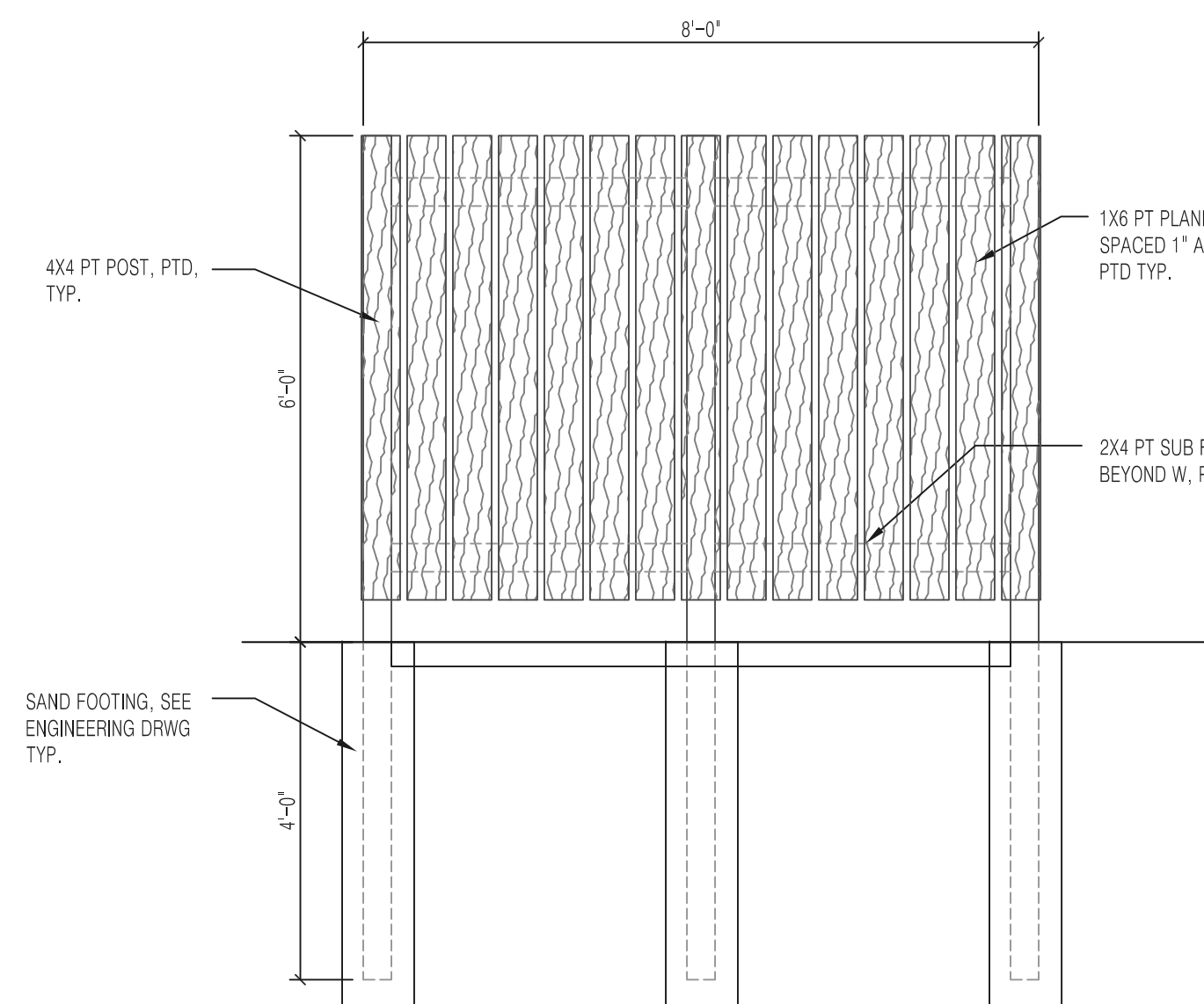
1 ENCLOSURE FLOOR PLAN

1/2" = 1'-0"



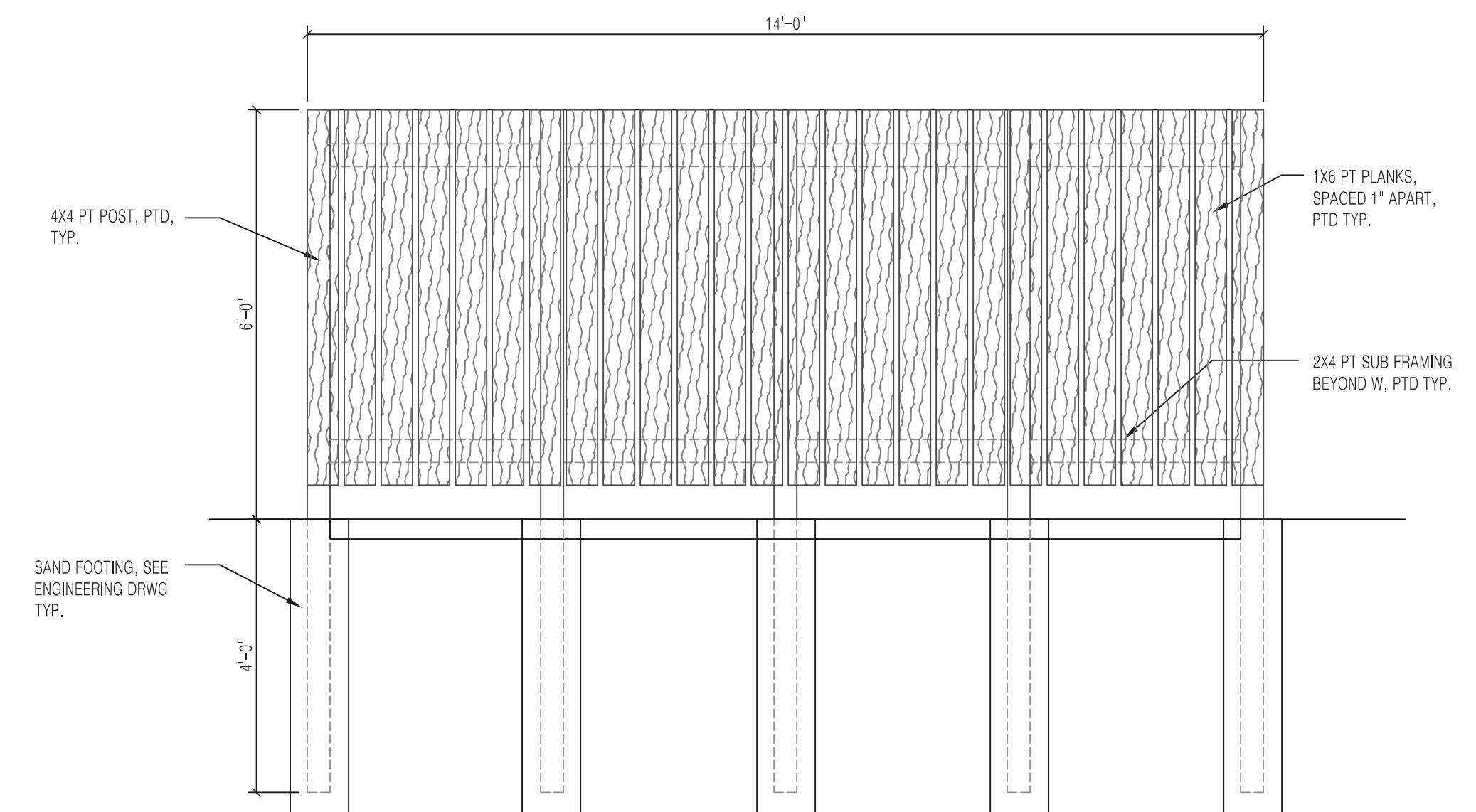
2 ENCLOSURE ENTRY ELEVATION

1/2" = 1'-0"



3 ENCLOSURE SIDE ELEVATION

1/2" = 1'-0"



4 ENCLOSURE REAR ELEVATION

1/2" = 1'-0"