

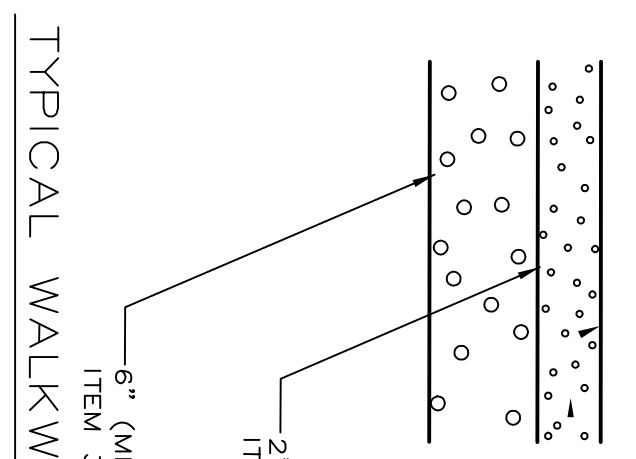
6" (MIN.) CRUSHED GRAVEL
ITEM 304.3

12" (MIN.) BANK RUN GRAVEL
ITEM 304.2

TYPICAL PARKING LOT AND DRIVEWAY CROSS-SECTION
NOT TO SCALE

- NOTES
1. THE DENSITY OF SELECT MATERIALS AND SUBGRADE PREPARATION SHALL NOT BE LESS THAN 95% OF THE MODIFIED PROCTOR IN ACCORDANCE WITH N.H.D.O.T. SPECIFICATIONS.
 2. REMOVE ALL LOAM, CLAY, MUCK, STUMPS, AND OTHER UNSUITSABLE MATERIALS FROM THE ENTIRE SITE TO BE AT LEAST 95% OF THE DRY WEIGHT AS DETERMINED BY MODIFIED TESTING (ASTM 1557).
 3. UNDERDRAIN PIPE SHALL BE PROVIDED IN ALL AREAS WHERE THE SEASONAL HIGH WATER TABLE IS WITHIN 5 FEET OF FINISH GRADE. THE PIPE SHALL DISCHARGE THROUGH A MORTARED RUBBLE MASONRY HEADWALL, OR INTO A CATCH BASIN.
 4. ALL UNDERGROUND FACILITIES AND TRANSFORMERS SLABS SHALL BE LOCATED AT THE RIGHT-OF-WAY LINE, UNLESS OTHERWISE APPROVED BY THE ENGINEER.
 5. CONTRACTOR TO COORDINATE WITH TOWN ENGINEERING FOR INSPECTION REQUIREMENTS. A PRECONSTRUCTION MEETING IS REQUIRED PRIOR TO INITIATING CONSTRUCTION.

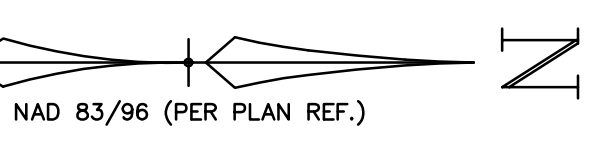
TAX MAP 14 LOT 34
7.4 ACRES
(PER PLAN REFERENCE #1 & #2)



6" (MIN.) BANK RUN GRAVEL
ITEM 304.2

2" (MIN.) CRUSHED GRAVEL
ITEM 304.3

TYPICAL WALKWAY DETAIL
NOT TO SCALE

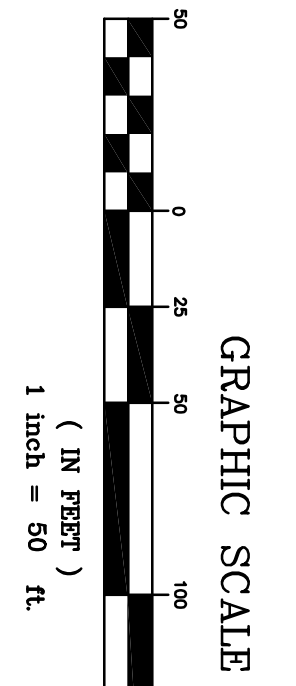
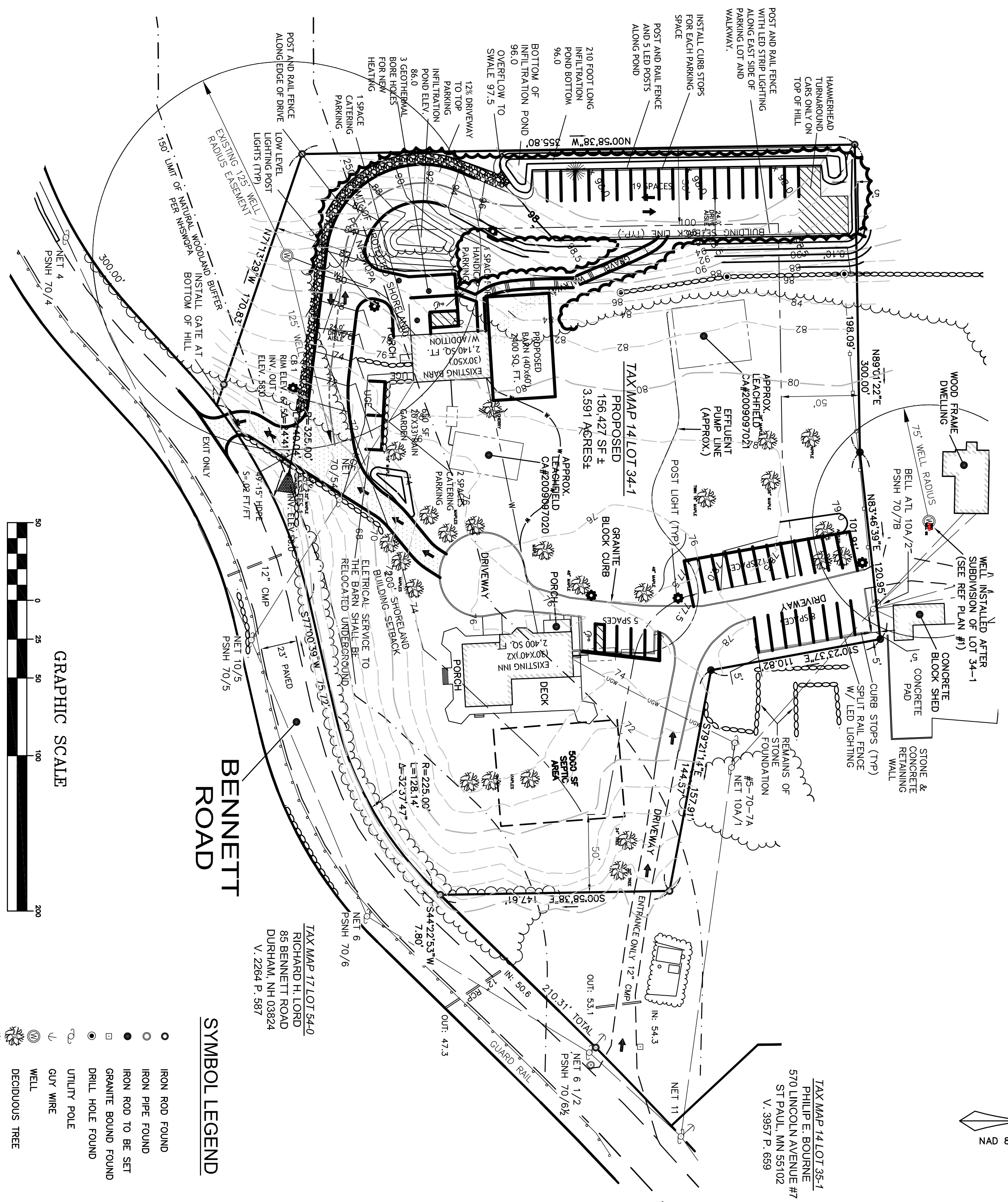


PLAN REFERENCES:

- 1.) SUBDIVISION PLAN, HIGHLAND HOUSE, LAND OF THE UNIVERSITY OF NEW HAMPSHIRE, 88 BENNETT ROAD, DURHAM, NEW HAMPSHIRE, DATED APRIL 2006, LAST REVISED 9/15/06, PREPARED BY T.F. BERNIER, INC. SCSD PLAN #89-14.
- 2.) LOT LINE ADJUSTMENT PLAN, LAND OF THE UNIVERSITY OF NEW HAMPSHIRE AND ASSESSORS MAP 14 LOT 35-1, 88 BENNETT ROAD, DURHAM, NEW HAMPSHIRE, DATED MAY 2007, LAST REVISED 7/16/07, PREPARED BY T.F. BERNIER, INC. SCSD PLAN #91-37.

PLAN NOTES:

- A) Driveway permit. The driveway permit has been issued. It requires that there be a flagger whenever there are special events. Left hand turns are difficult but can be used when there is a flagger there.
 1. The driveway is to be used only for special events and only for existing vehicles.
 - ii. A traffic detail (police officer or flagger approved by Durham PD) must be posted on Bennett Road when the driveway exits is used.
 - iii. The gate at the end of the driveway must be closed at all times during non-events and when a traffic detail is not present.
- B) Special events: This site plan amendment includes approval of holding special events at the site. This includes customary outdoor activities and activities such as weddings in the building.
- C) Limits of special events. Events, music, and any amplification must end by 11:00 PM on Friday and Saturday nights and 10:00 PM on other nights.
- D) Tent events. Per the 2011 approval, there may be no more than 18 events in the tent per year.
- E) Parking Lot. If the barn/function hall is used during the winter, the upper parking area must be plowed/cleared to accommodate it. The hammerhead shown on the plans will not be marked on the ground in any way.
- F) Cut trees. No cut trees or stumps may be buried on the site.
- G) Building Code. This approval is for the site plan only. The safety code and building code review will be required as part of the building permit process when the construction plans are submitted. The applicant is encouraged to meet with Building and Fire Officials early to expedite the review process.
- H) Additional information. For more information about this site plan, or to see the complete plan set, contact the Town of Durham Planning Department, 15 Newmarket Road, Durham, NH 03824, 603-868-8064.
- I) Earlier approvals. All conditions of earlier approvals for the site apply to this amendment.

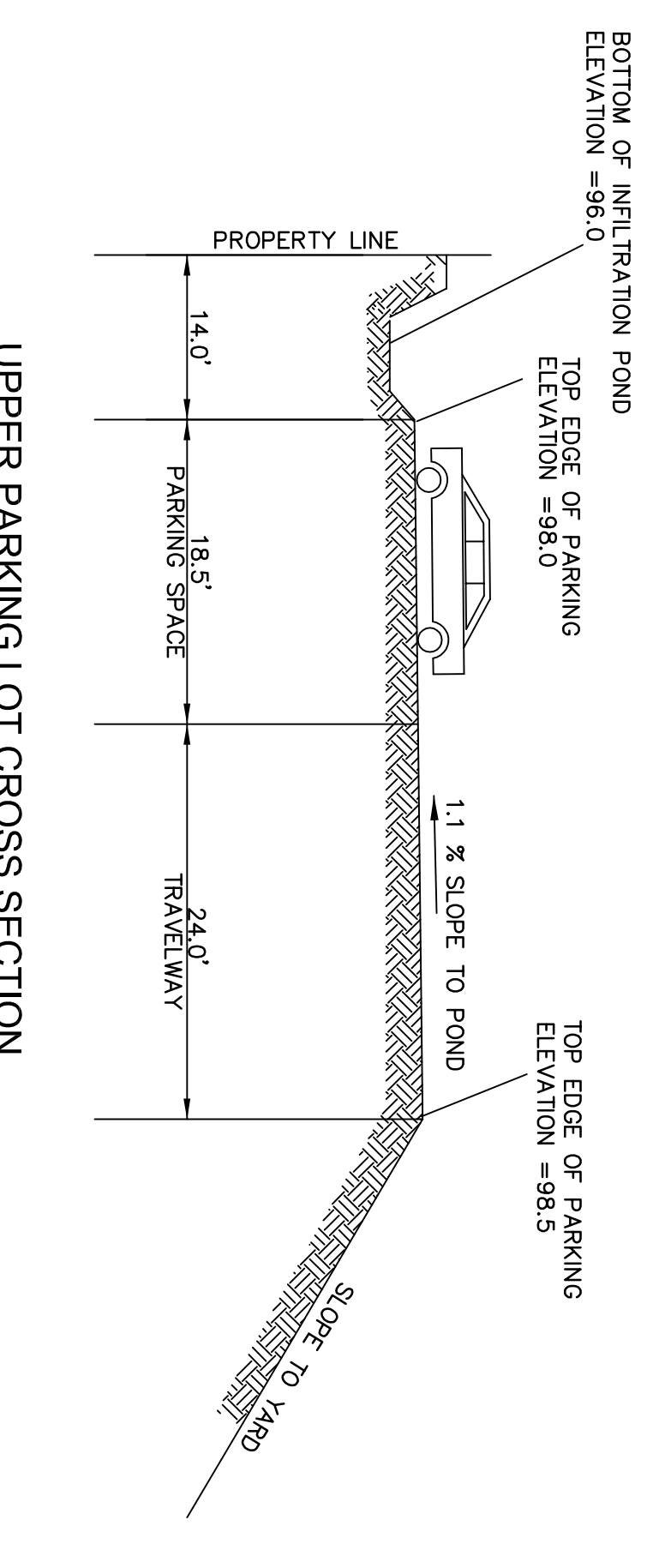


DEVELOPER:
STEPHEN AND LORI LAMB
90 BENNETT ROAD
DURHAM, NEW HAMPSHIRE

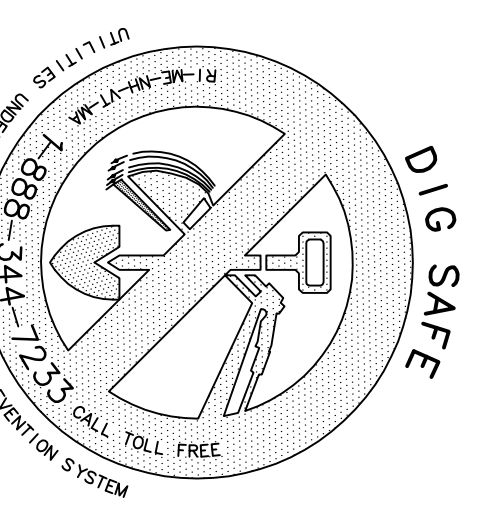
SITE PLAN
STEPHEN AND LORI LAMB
90 BENNETT ROAD - TAX MAP 14, LOT 34-1
DURHAM, NEW HAMPSHIRE

REVISIONS

DATE	DESCRIPTION	OWN BY	CK BY
5-6-14	ADD INFORMATION TO PLAN PER TOWN COMMENTS	JR	JR
6-5-14	ADD INFORMATION TO PLAN PER TOWN COMMENTS	JR	JR
6-29-14	EDITS TO PLAN FOR POND SIZING	JR	JR
7-7-14	EDITS TO PLAN PER COMMENTS	JR	JR
7-29-14	EDITS TO PLAN PER SITE SPECIFIC SOILS	JR	JR
8-5-14	EDITS TO PLANS PER CONDITIONS	JR	JR



SKETCH MAP
SCALE: 1" = 300'



FINAL APPROVAL BY THE DURHAM PLANNING
CERTIFIED BY MICHAEL BEHRENT, TOWN PLANNER:
DATE _____

Rokeh Consulting, LLC
89 KING ROAD, CHICHESTER, NH 03258
PH: 603-387-8688

SCALE: 1" = 50'
DR. BY: JR CK. BY: JR
JOB NO. 2014.089
SHEET NO. 1 OF 2