

Project Name:

Part Number:

AREA LIGHT - 70W LED

OUTDOOR



407-478-3759
www.ilp-inc.com

FEATURES

- Sleek low profile die cast aluminum housing (bronze housing)
- Type II, III, IV, & VS optics available
- Tool-less hinged drop down driver access
- Universal Pole Mounting Bracket available (UPMB)
- Swappable driver cover
- IP66 Rated
- 3000K, 4000K, & 5000K color options
- 0-10V Dimmable Driver
- Dark Sky Compliant^{1,2}
- 5 year warranty
- Designlights Consortium® Qualified Luminaire

¹ Must select 3000K to qualify

² Must select UPMB, ARM6, or HTMA mounting options to qualify



SUITABLE APPLICATIONS

- Parking Lots
- Roadways
- Car Dealerships
- Shopping Centers

LED SYSTEMS INFO		T2	T3	T4	T5S		T2	T3	T4	T5S
Calculated L ₇₀ (TM-21)	4000K	>100K	>100K	>100K	>100K	5000K	>100K	>100K	>100K	>100K
Delivered Lumens		8,380 lm	8,306 lm	7,939 lm	8,248 lm		8,522 lm	8,447 lm	8,193 lm	8,387 lm
Total Input Watts		70 W	70 W	70 W	70 W		70 W	70 W	70 W	70 W
Luminaire Efficacy Rating (LER)		119 lm/W	118 lm/W	113 lm/W	117 lm/W		121 lm/W	120 lm/W	117 lm/W	119 lm/W
Correlated Color Temperature (CCT)		4000K	4000K	4000K	4000K		5000K	5000K	5000K	5000K
Color Rendering Index (CRI)		>70	>70	>70	>70		>70	>70	>70	>70
BUG Rating		B2-U0-G2	B2-U0-G2	B2-U0-G2	B3-U0-G1		B2-U0-G2	B2-U0-G2	B2-U0-G2	B3-U0-G1
Ambient Temperature Range		-30°F-130°F	-30°F-130°F	-30°F-130°F	-30°F-130°F		-30°F-130°F	-30°F-130°F	-30°F-130°F	-30°F-130°F
Universal Driver	120-277 V	120-277 V	120-277 V	120-277 V	120-277 V	120-277 V	120-277 V	120-277 V		

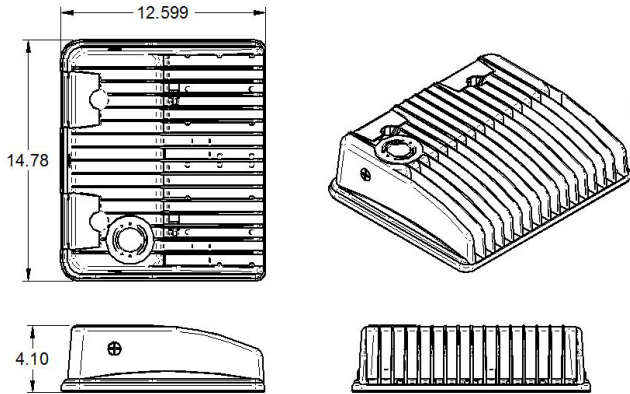
LED System data above based on AL-70WLED-UNIV-40 and AL-70WLED-UNIV-50
LED Lumen maintenance estimates based on TM-21 projections for the light source at 25°C ambient.

ORDERING GUIDE:

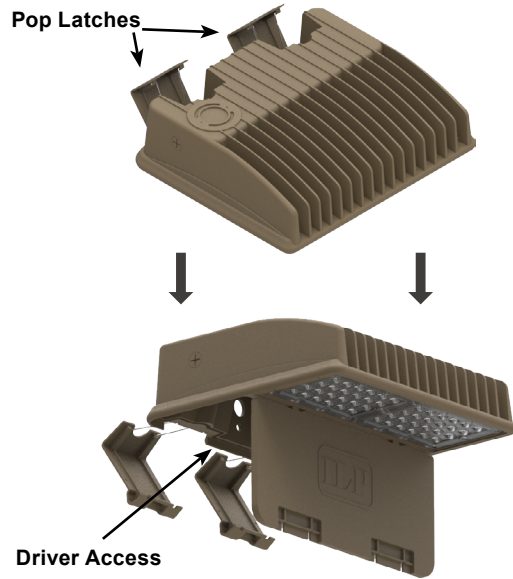
Series	Watts	Driver	Color	Optics	Options
AL Area Light	70WLED	UNIV 120-277V Driver	50	T2	UPMB Universal Pole Mounting Bracket
			40	T3	UPMB/R Universal Pole Mounting Bracket w/ Round Pole Adaptor 6"
			30	T4	WMB Wall Mount Bracket
				T5S	AL-SLPF Adjustable Slip Fitter
					AL-SB Adjustable Swivel Bracket
					HTMA Horizontal Tenon Mount Adaptor
					ARM6-S 6" Straight Arm Adaptor for Square Pole
					ARM6-Rx 6" Straight Arm Adaptor for Round Pole (x = diameter)
					HSS* House Side Shield
					GS Glare Shield
					WC Wire Cage
					SP1 120V Surge Protector
					SP2 277V Surge Protector
					TLPC Univ. twist lock photocell factory installed receptacle w/ field installed photocell
					7PIN/PC/R 7 Pin Photocell Factory Installed Receptacle
					WLOS Wet Location Rated Occupancy Sensor
					USBD User Select Bi-Level Din w/ Occ. Sensor
					BDxx Preset Bi-Level Dim Sensor (xx=% eg. 20, 30)
					BDxxPC Preset Bi-Level Dim Sensor w/ Photocell (xx=% eg. 20, 30)
					FSIR/100 Remote Configuration Tool for WLOS & USBD Control Options
					SD480V 480V Step Down Transformer
					SD347V 347V Step Down Transformer

AREA LIGHT - 70W LED

OUTDOOR



TOOL-LESS DRIVER ACCESS



MOUNTING OPTIONS

- **UPMB** - Universal Pole Mounting Bracket
- **UPMB/R** - Universal Pole Mounting Bracket
- **WMB** - Wall Mount Bracket
- **AL-SLPF** - Adjustable Slip Fitter
- **AL-SB** - Swivel Bracket
- **HTMA** - Horizontal Tenon Mount Adaptor
- **ARM6-S** - 6" Straight Arm Adaptor For Square Pole
- **ARM6-Rx** - 6" Straight Arm Adaptor For Round Pole ($x = \varnothing$)

EPA RATINGS	ARM6-S	UPMB	HTMA	AL-SLPF	AL-SB
AL-70WLED	0.61 ft ²	0.76 ft ²	0.58 ft ²	0.71 ft ²	0.60 ft ²

WEIGHT

17.2 LB

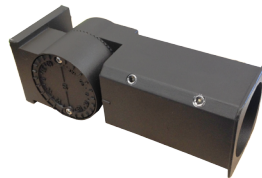
* EPA Ratings listed assume fixture is mounted horizontally. For adjustable mounting options, EPA will vary with selected angle.



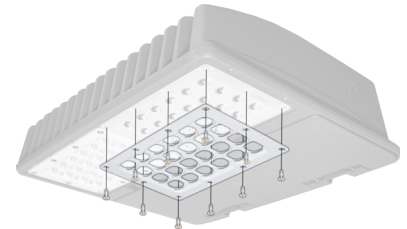
UPMB



WMB



AL-SLPF



HSS
(House Side Shield)



AL-SB



HTMA



ARM6-S
(Available for Square or Round Pole)



GS
(Glare Shield)

AREA LIGHT - 70W LED

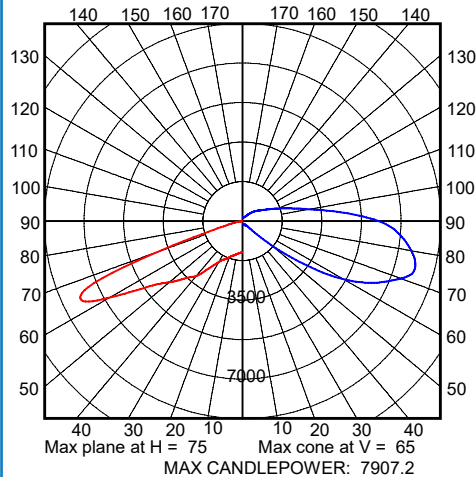
OUTDOOR

AL-70WLED-UNIV-40-T2

SUMMARY DATA

HEMISPHERES TESTED:	BOTH
EFFICIENCY (Downlight/Uplight):	100.0 % / 0.0 %
EFFICIENCY (Street/House):	66.6 % / 33.4 %
ROADWAY CLASSIFICATION:	TYPE II, SHORT
CUTOFF CLASSIFICATION:	NONCUTOFF
LUMENS:	8,387.69
INPUT WATTS:	70.53

CANDELA PLOT



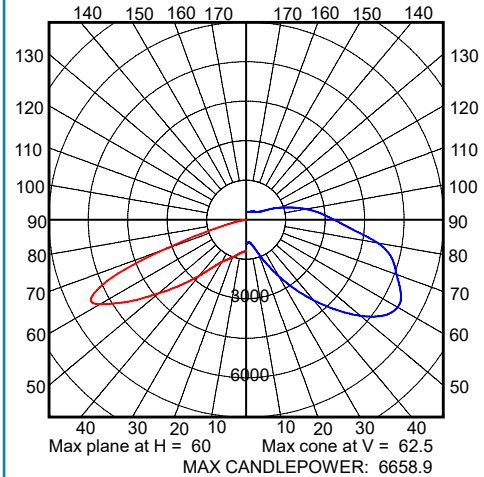
Photometric values based upon tests performed in compliance w/ LM-79. Download IES files at www.ilp-inc.com

AL-70WLED-UNIV-40-T3

SUMMARY DATA

HEMISPHERES TESTED:	BOTH
EFFICIENCY (Downlight/Uplight):	100.0 % / 0.0 %
EFFICIENCY (Street/House):	74.7 % / 25.3 %
ROADWAY CLASSIFICATION:	TYPE III, SHORT
CUTOFF CLASSIFICATION:	CUTOFF
LUMENS:	8,366.21
INPUT WATTS:	70.74

CANDELA PLOT



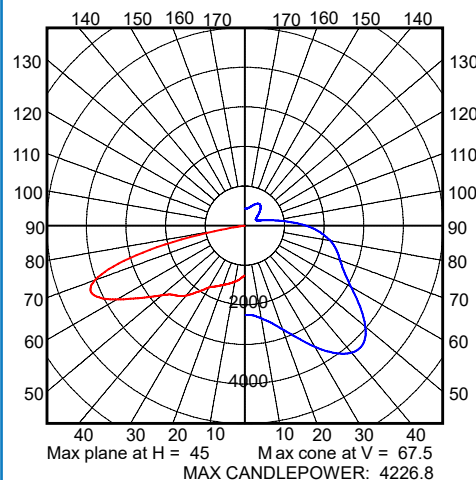
Photometric values based upon tests performed in compliance w/ LM-79. Download IES files at www.ilp-inc.com

AL-70WLED-UNIV-40-T4

SUMMARY DATA

HEMISPHERES TESTED:	BOTH
EFFICIENCY (Downlight/Uplight):	100.0 % / 0.0 %
EFFICIENCY (Street/House):	77.2 % / 22.8 %
ROADWAY CLASSIFICATION:	TYPE IV, SHORT
CUTOFF CLASSIFICATION:	SEMICUTOFF
LUMENS:	7,977.78
INPUT WATTS:	70.5

CANDELA PLOT



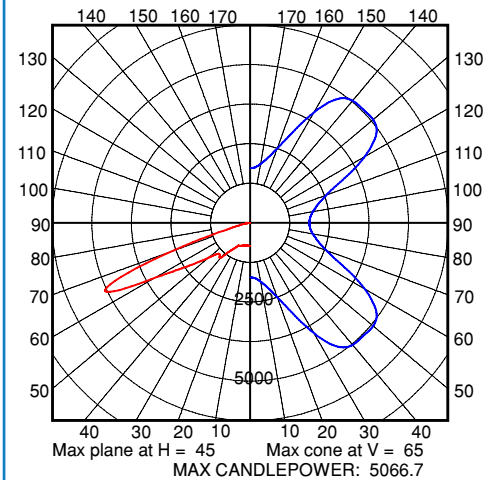
Photometric values based upon tests performed in compliance w/ LM-79. Download IES files at www.ilp-inc.com

AL-70WLED-UNIV-40-T5S

SUMMARY DATA

HEMISPHERES TESTED:	BOTH
EFFICIENCY (Downlight/Uplight):	100.0 % / 0.0 %
EFFICIENCY (Street/House):	50.0 % / 50.0 %
ROADWAY CLASSIFICATION:	TYPE VS
CUTOFF CLASSIFICATION:	CUTOFF
LUMENS:	8,304.51
INPUT WATTS:	70.63

CANDELA PLOT



Photometric values based upon tests performed in compliance w/ LM-79. Download IES files at www.ilp-inc.com