

SOLANA® SL760

The Solana® SL760 Post-Top Luminaire's modern geometric design complements a diverse assortment of contemporary architectural settings. It's urbanesque yoke design offers not only aesthetic beauty, durability and optical efficiency, but takes street, area, and medium mount lighting to another level. The Solana® SL760 is well suited for all roadway, site and pedestrian environments.



PROJECT: _____

TYPE: _____

ORDERING EXAMPLE: PT-SL760-CA-140L45T5-MDH05-MOT1-HSS-FHD / UBKT

SL760														
MOUNTING CONFIG.	SERIES	LENS	NO. OF LEDS	COLOR TEMP K	DISTRIBUTION TYPE	DRIVER	OPTIONAL CONTROL RECEPTACLE	OPTIONAL CONTROL	MOTION SENSOR	HOUSE SIDE SHIELD	DUAL FUSE & HOLDER	COLOR		
PT	Large Area Post Top	CA	84L ¹	27(00) K	T2	MDL03	O P T I O N S					UBKT	UBK	
1W		FG	112L	35(00) K	T3	MDL05	R ²	PE ³	MOT1 ⁴	HSS	FHD	UBT	UB	
1A		SA	140L	45(00) K	T3R	MDH03	R5 ²	PE3 ³	MOT2 ⁴			ULBT	ULB	
2A		FFG			T4	MDH05	R7 ²	PE4 ³				USLT	USL	
2A90		TDC			T5			SC ³				UWHT	UWH	
1AM		SV1*						PEC				UCHS		
2AM		SV2**						PEC4						
		SV1SA*	BLOC OPTICS											
		SV2SA**	80BL			T3RBL								
		SV1TD*	96BL			T4BL								
	SV2TD**	128BL												

A = Arm Mount AM = Arm Mid-Mount W = Wall Mount (* Designate 1WCB if surface mount box required) ¹ Not available in 05 driver

Product Specs

Optical

- IP65 rated optic module with BUG rating of U-1.
- Available in IES Type 2, 3, 3R, 4 and 5 distribution.
- Utilizes high output, high brightness LEDs.
- Operates at -40°C (-40°F) to +50°C (122°F) ambient air temperature range.
- Minimum CRI of 70, CCT 2700,3500 and 4500K. Call factory for custom CCT.
- LM-79 and LM-80 tests in accordance with IESNA standards.
- Lumen depreciation rating L₇₀>150,000 hrs. projected per TM-21 guideline using 525mA drive at 25°C ambient.
- RoHS Compliant.
- Bloc optic available 1st quarter 2014.

Electrical

- 120-277 volt and 347-480 volt available.
- Minimum drivers power factor: >0.9.
- Electrical surge protection in accordance with IEEE/ANSI C62.41.2 guidelines.
- UL listed in U.S. and Canada.

Mechanical

- Cast aluminum heat sink, arms, lens cover, housing top cover and housing/fitter.
- Spun aluminum heat sink cover.
- Fitter installs on standard 3 in tenon.
- Tool-less driver access and removeable driver tray.
- AAD™ "Advanced Air-flow Dynamics" maximizes heat sink expulsion.

Controls

- Supplied with dimmable driver. (0-10 volts)
- R 3-Pin ANSI receptacle only.
- R5 5-Pin ANS. receptacle only.
- R7 7-Pin ANS. receptacle only.
- PE twist-lock photocontrol (120v-277v)
- PE3 twist-lock photocontrol (347v)
- PE4 twist-lock photocontrol (480v)
- SC Shorting Cap
- PEC button photocontrol (120v-277v)
- PEC4 button photocontrol (480v)

Finish

- Durable, color retentive powder coat finish.

Warranty & Standards

LED Systems and Drivers - 7 years.
All fixtures shall be free from all defects in materials and workmanship for a period of 7 years from the date of manufacture. The luminaire manufacturer shall warrant the LED boards/system, during the stated warranty period, against failure defined as more than 10 percent of non-operating LEDs.

Motion Sensors:

- MOT1⁴**: 360° lens, maximum coverage 40' diameter from 20' height
- MOT2⁴**: 360° lens, maximum coverage 70' diameter from 20' height

²Note: Requires acrylic flat lens (CA, SV1 or SV2)

Drivers:

- MDL03**: 350mA, 120-277V
- MDL05**: 525mA, 120-277V
- MDH03**: 350mA, 347-480V
- MDH05**: 525mA, 347-480V

Lens:

- CA** - Clear Flat Acrylic
- FG** - Clear Flat Glass
- SA** - Clear Sag Acrylic
- FFG** - Frosted Flat Glass
- TDC** - Clear Acrylic Tear Drop

Soft Vue:

- SV1*** - Flat Medium Diffuse Acrylic Lens
 - SV2**** - Flat Heavy Diffuse Acrylic Lens
 - SV1SA*** - Sag Medium Diffuse Acrylic Lens
 - SV2SA**** - Sag Heavy Diffuse Acrylic Lens
 - SV1TD*** - Tear Drop Medium Diffuse Acrylic Lens
 - SV2TD**** - Tear Drop Heavy Diffuse Acrylic Lens
- *Provides moderate reduction in Brightness while only a minimal reduction in lumen output. **Provides maximum reduction in Brightness while only a nominal reduction in lumen output. Consult photometric files for exact lumen performance as percentages noted are averages.

Colors:

- UBKT** - Urban Black Textured
- UBT** - Urban Bronze Textured
- ULBT** - Urban Light Bronze Textured
- USLT** - Urban Silver Textured
- UWHT** - Urban White Textured
- UCHS** - Urban Champagne Satin Smooth

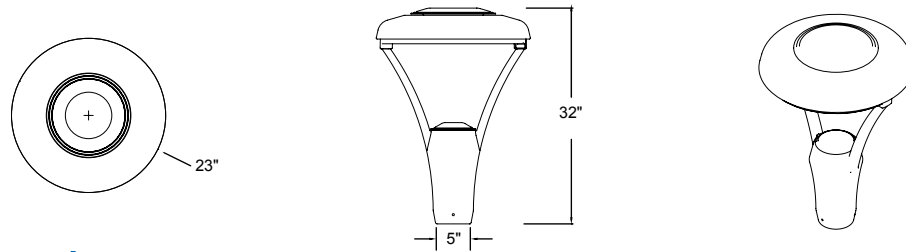
- UBK** - Urban Black Matte
- UB** - Urban Bronze Matte
- ULB** - Urban Light Bronze Matte
- USL** - Urban Silver Matte
- UWH** - Urban White Matte

Performance (Based on FG Lens)

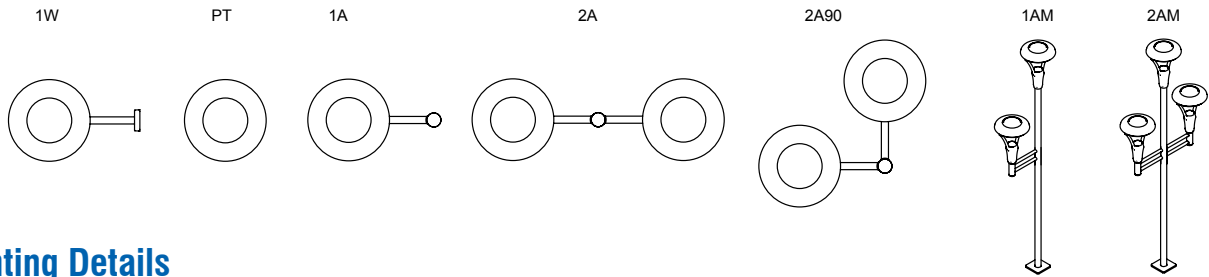
MODEL #	T2 DELIVERED LUMENS	EFFICACY (LPW)	T3 DELIVERED LUMENS	EFFICACY (LPW)	T3R DELIVERED LUMENS	EFFICACY (LPW)	T4 DELIVERED LUMENS	EFFICACY (LPW)	T5 DELIVERED LUMENS	EFFICACY (LPW)	WATTAGE
140L27T_MD_05	14570	60.2	14040	58.0	14345	59.3	14630	60.4	14950	61.8	242
140L35T_MD_05	16605	68.6	16000	66.1	16345	67.6	16665	68.9	17030	70.4	242
140L45T_MD_05	17700	73.2	17060	70.6	17430	71.9	17770	73.7	18160	75.1	242
112L27T_MD_05	11710	59.7	11440	58.4	11570	59.0	11840	60.4	12220	62.5	196
112L35T_MD_05	13340	68.1	13035	66.5	13180	67.3	13490	68.8	13925	71.0	196
112L45T_MD_05	14225	72.5	13900	70.6	14055	71.5	14380	73.7	14845	75.7	196
140L27T_MD_03	10985	70.9	10535	68.0	10955	70.7	10955	70.7	11145	71.9	155
140L35T_MD_03	12515	80.8	12005	77.5	12485	80.5	12525	80.8	12700	81.9	155
140L45T_MD_03	13345	86.1	12800	82.7	13310	85.8	13355	86.1	13540	87.5	155
112L27T_MD_03	8710	69.7	8370	67.0	8580	68.6	8760	70.1	8890	71.1	125
112L35T_MD_03	9920	79.4	9535	76.3	9775	78.2	9980	79.9	10130	81.0	125
112L45T_MD_03	10580	83.7	10170	81.0	10425	84.3	10640	84.9	10800	86.9	125
84L27T_MD_03	6645	69.9	6450	67.9	6505	68.5	6535	68.8	6585	69.3	95
84L35T_MD_03	7570	79.7	7345	77.4	7415	78.1	7445	78.4	7500	79.0	95
84L45T_MD_03	8075	84.0	7835	81.5	7905	84.0	7935	83.1	8000	84.4	95

Product Dimensions and Features

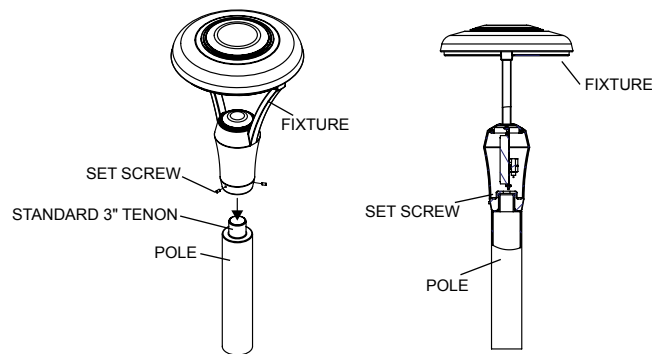
EPA: 1.3 SQUARE FT
WEIGHT: 53 LBS



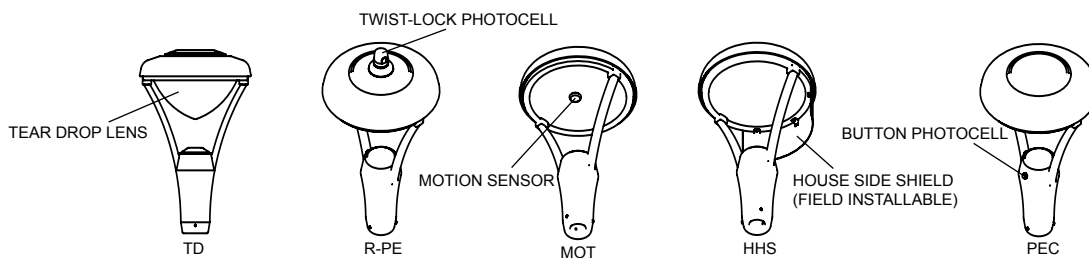
Mounting Configurations



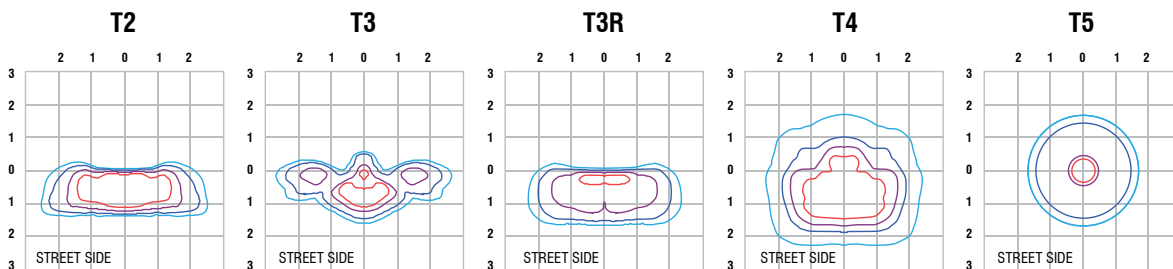
Mounting Details



Other Options



ISO Footcandle Plots



All published luminaire photometric testing performed to IESNA LM-79 standards by NVLAP, certified laboratory. ISO footcandle plots above demonstrate the SOLANA's light patterns only. Not for total fixture output. For complete specifications and IES files, see website.



800-621-3376
555 Lawrence Ave., Roselle, IL 60172
info@sternberglighting.com
www.sternberglighting.com

Performance

MODEL #	T3R DELIVERED LUMENS	EFFICACY (LPW)	B U G	T4 DELIVERED LUMENS	EFFICACY (LPW)	B U G	WATTS
80L35T_-MDL03	6669	72.0	1 1 2	6665	72	1 1 2	92
80L45T_-MDL03	7095	77.0	1 1 2	7090	77	1 1 2	92
80L62T_-MDL03	7592	82.0	1 1 2	7586	82	1 1 2	92
96L35T_-MDL03	7849	72.0	1 1 2	7882	72	1 1 2	109
96L45T_-MDL03	8350	76.0	1 1 2	8385	76	1 1 2	109
96L62T_-MDL03	8935	81.0	1 1 2	8972	82	1 1 2	109
128L35T_-MDL03	10537	73.0	1 2 2	10378	72	1 1 2	144
128L45T_-MDL03	11210	77.0	1 2 2	11040	76	1 1 2	144
128L62T_-MDL03	11995	83.0	1 2 2	11813	82	1 1 2	144
96L35T_-MDL05	10801	62.0	1 1 2	10547	60	1 1 2	173
96L45T_-MDL05	11490	66.0	1 1 2	11220	64	1 1 2	173
96L62T_-MDL05	12294	71.0	1 1 2	12005	69	1 1 2	173
128L35T_-MDL05	14161	63.0	2 1 3	13950	62	2 1 3	224
128L45T_-MDL05	15065	67.0	2 1 3	14840	66	2 1 3	224
128L62T_-MDL05	16120	71.0	2 1 3	15879	70	2 1 3	224

