

From: [RobinM](#)
To: [Rick Taintor](#)
Cc: [Karen Edwards](#); [Richard Reine](#); [April Talon](#)
Subject: catch basins | ORLAC checklist | College Brook, Mill Pond
Date: Wednesday, January 05, 2022 12:04:55 PM
Attachments: [catchbasin C504 LABELS.png](#)
[Screen Shot 2021-05-06 at 10.03.05 AM.png](#)
[Screen Shot 2021-05-06 at 10.00.20 AM.png](#)

Greetings, Rick --

Please forward this note to the Planning Board. Thank you.

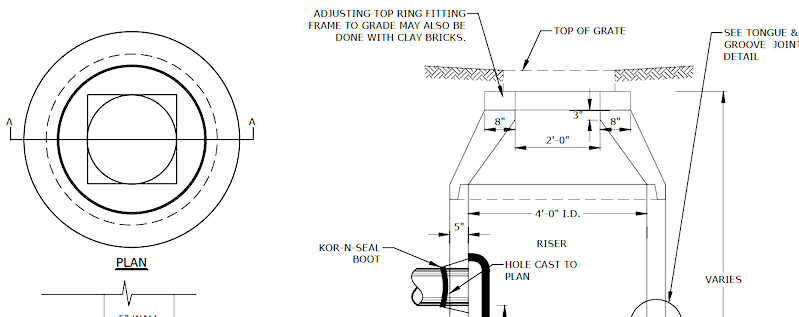
The Oyster River Local Advisory Committee Checklist caught my eye this morning, so I looked at the Colonial Durham/Mill Plaza December 1, 2021 site plan Sheet C-504 for catch basin information.

I don't know anything about the proposed catch basins, but I do think that the ORLAC suggestion should become part of the Conditions of Approval, i.e., included on Notes on the Plan.

Checklist for Project Evaluations

Oyster River Local River Advisory Committee
(April 2021, subject to revision)

3. Will catch basin grates be marked with "Dump no Waste"?



Checklist for Project Evaluations
Oyster River Local River Advisory Committee
(April 2021, subject to revision)

3. Will catch basin grates be marked with "Dump no Waste"?



- NOTES:
1. ALL SECTIONS SHALL BE CONCRETE CLASS AA(4000 psi).
 2. CIRCUMFERENTIAL REINFORCEMENT SHALL BE 0.12 SQ. IN. PER LINEAR FT. IN ALL SECTIONS AND SHALL BE PLACED IN THE CENTER THIRD OF WALL.
 3. THE TONGUE AND GROOVE OF THE JOINT SHALL CONTAIN ONE LINE OF CIRCUMFERENTIAL REINFORCEMENT EQUAL TO 0.12 SQ. IN. PER LINEAR FT.
 4. RISERS OF 1', 2', 3', & 4' CAN BE USED TO REACH DESIRED DEPTH.
 5. THE STRUCTURES SHALL BE DESIGN FOR H2O LOADING.
 6. THE TONGUE AND GROOVE JOINT SHALL BE SEALED WITH ONE STRIP OF BUTYL RUBBER SEALANT.

Sheet C-504 December 1, 2021 siteplan

4' DIAMETER CATCHBASIN
NO SCALE

Furthermore: If catch basins will be easily viewed by pedestrians, could the covers not be

more eye-catching and informative? See examples below.

Of course, it would be great if the Town of Durham rolled this concept into our own protocols (or perhaps we already do?), as towns across the country have done for quite some time.

Regards,

-- Robin

Robin Mower

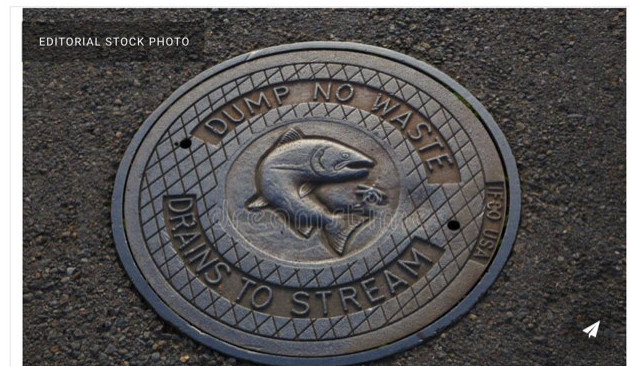
<<https://www.gshpinc.com/storm-drain-markers/>>



AND....

Water Drain to River and Streams

<<https://www.dreamstime.com/editorial-stock-image-water-drain-to-river-streams-eugene-november-storm-cover-reads-dump-no-waste-drains-stream-effort-protect-image62804314#dt>>



EUGENE, OR - NOVEMBER 21, 2015: Storm drain cover reads dump no waste, drains to stream in an effort to protect the water in local rivers and streams.

...AND:

<<https://siderah2o.com/shop/storm-drain-markers-st/>>

