

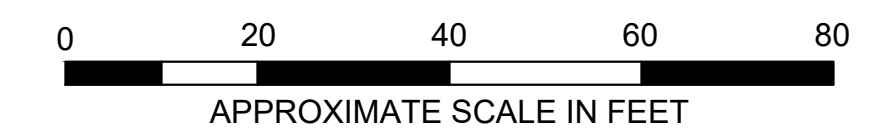


LEGEND

- DP-1** DESIGNATION AND APPROXIMATE LOCATION OF OBSERVATION WELL INSTALLED IN A GEOPROBE BOREHOLE COMPLETED BY NEW ENGLAND BORING COMPANY ON 14 JULY 2020, AND OBSERVED BY HALEY & ALDRICH, INC. STAFF.
- 20** APPROXIMATE GROUND SURFACE ELEVATION CONTOUR (IN FEET)
- INDICATES WETLAND FLAG DESIGNATION AND WETLAND LIMITS
- 1 S-2** DETAIL NUMBER DESIGNATION AND SHEET IT IS SHOWN ON (SHEET 2)

NOTES

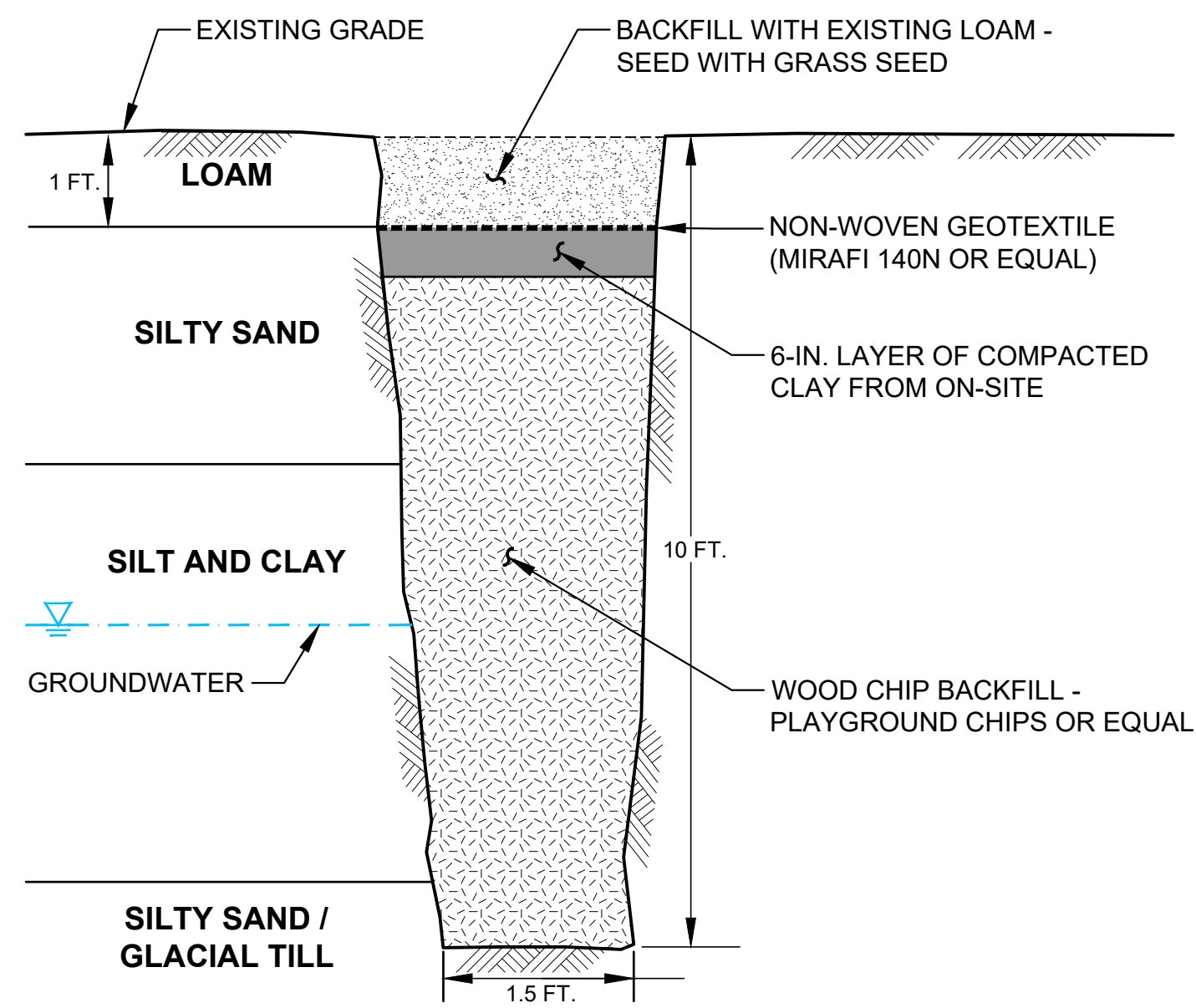
1. AERIAL IMAGE, DATED 4 MAY 2018, TAKEN ELECTRONICALLY FROM GOOGLE EARTH PRO.
2. GROUND SURFACE CONTOURS DOWNLOADED FROM NEW HAMPSHIRE'S STATEWIDE GEOGRAPHIC INFORMATION SYSTEM (GIS) CLEARINGHOUSE (DATUM - NAD 83, NEW HAMPSHIRE IN STATE PLANE FEET) ON 5 NOVEMBER 2020 AND SHOULD BE CONSIDERED APPROXIMATE.
3. WETLAND DELINEATION COMPLETED BY MICHAEL CUOMO, CWS, ON 9 OCTOBER 2020.



HALEY ALDRICH STRAFFORD REGIONAL PLANNING COMMISSION
 PERMEABLE REACTIVE BARRIER EVALUATION
 DURHAM, NEW HAMPSHIRE

**51A DURHAM POINT ROAD
 SITE PLAN**

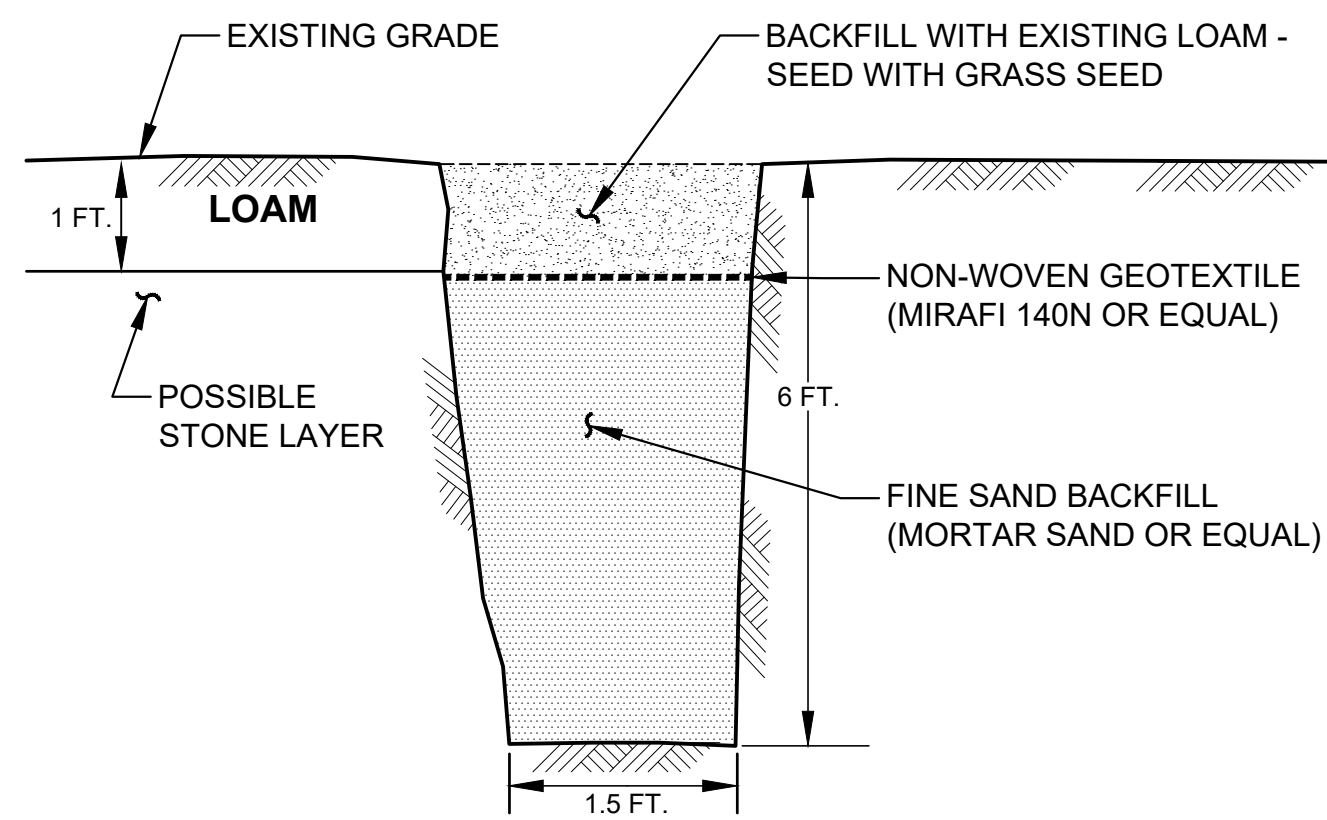
SCALE: AS SHOWN
 11 NOVEMBER 2020



WOOD CHIP PERMEABLE REACTIVE BARRIER (PRB) DETAIL FOR GROUNDWATER DENITRIFICATION

1

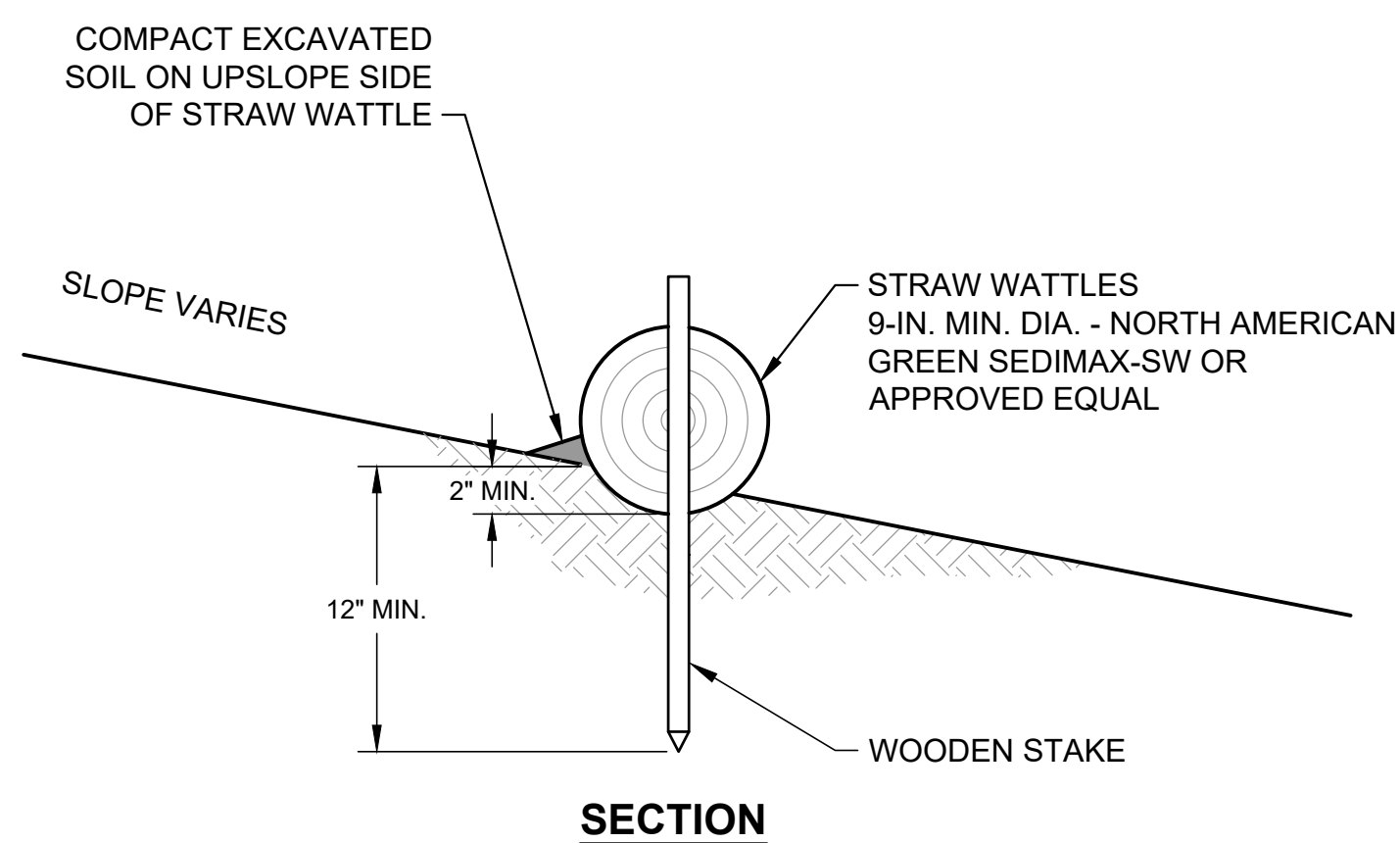
SCALE: NTS



GROUNDWATER INTERCEPTOR TRENCH DETAIL

2

SCALE: NTS



SECTION

STRAW WATTLE INSTALLATION

3

SCALE: NTS

NOTES:

1. STRAW WATTLES TO BE PLACED ALONG SLOPE WHERE INDICATED.
2. STRAW WATTLES SHALL BE INSPECTED DAILY AND MAINTAINED FOR THE DURATION OF CONSTRUCTION.

HALEY ALDRICH STRAFFORD REGIONAL PLANNING COMMISSION
PERMEABLE REACTIVE BARRIER EVALUATION
DURHAM, NEW HAMPSHIRE

DETAILS

SCALE: AS SHOWN
11 NOVEMBER 2020

S-2